



**LUCCI
AIRFUSION FRASER
DC CEILING FAN**

- **INSTALLATION**
- **OPERATION**
- **MAINTENANCE**
- **WARRANTY INFORMATION**

CAUTION
**READ INSTRUCTIONS CAREFULLY FOR SAFE
INSTALLATION AND FAN OPERATION.**

THANK YOU FOR PURCHASING

Thank you for purchasing the latest in energy saving ceiling fans. This fan runs on DC (direct current) power which gives it the benefit of being super energy efficient whilst still maintaining high volume air-movement and silent operation.

Energy saving - The DC motor is the latest technology in fan design. Its highly efficient motor saves up to 65% more energy than ceiling fans with traditional AC motors.

Silent operation – This DC fan motor is programmed with a stabilised current which efficiently reduces motor noise.

Low operating temperature – The DC power is managed effectively which brings down the motor operating temperature to less than 50°C. This results in a much cooler motor than a standard AC fan and increases the longevity of the motor.

6 speed remote control - Regular AC ceiling fans usually come with only 3 speeds, this DC fan comes complete with a 6 speed remote, which gives a greater choice of comfort levels.

SAFETY PRECAUTIONS

1. The appliance is not intended for use by persons (including children) with reduced physical, sensory or mental capabilities, or lack of experience and knowledge, unless they have been given supervision or instruction concerning the use of the appliance by a person responsible for their safety.
2. Children should be supervised to ensure that they do not play with the appliance.
3. An all-pole disconnection switch must be incorporated into the fixed wiring, in accordance with local wiring rules.

IN AUSTRALIA

WARNING:

FOR SAFE USE OF THIS FAN AN ALL-POLE DISCONNECTION MUST BE INCORPORATED INTO THE FIXED WIRING IN ACCORDANCE WITH THE WIRING RULES.

As outline in clause 7.12.2 of AS/NZS 60335-1 for meeting the minimum electrical safety of this standard.

Please note warranty will be void if installation is without a means for an all-pole disconnection incorporated in the fixed wiring in accordance with



the wiring rules.

Example: If a fan is connected to a circuit that can be isolated via an all-pole safety switch at the switchboard, then this is considered to be an all-pole disconnection to the ceiling fan electrical circuit, meeting the requirements of clause 7.12.2 of AS/NZS 60335.1.

A single-pole switch on the active of the receiver input of remote control must also be included in the wiring, and located the same room as the ceiling fan.



4. Do not dispose of electrical appliances as unsorted municipal waste, use separate collection facilities. Contact your local government for information regarding the collection systems available. If electrical appliances are disposed of in landfills or dumps, hazardous substances can leak into the ground water and get into the food chain, damaging your health and well-being.
5. The structure to which the fan is to be mounted must be capable of supporting a weight of 30kg.
6. The fan should be mounted so that the blades are at least 2.1 m above the floor.
7. This fan is designed for indoor use only. Mounting the fan in a location where it is subject to water or moisture is dangerous and may increase the risk of damage, injury or electrical shock and will void the warranty.
8. Must be assembled and installed by a licensed electrician.
9. WARNING: If unusual wobbling or oscillating movement is observed, immediately stop using the ceiling fan and contact the manufacturer, its service agent or suitably qualified persons.
10. The replacement of parts of the safety suspension system device shall be performed by the manufacturer, its service agent or suitably qualified persons.
11. The fixing means for attachment to the ceiling such as hooks or other devices shall be fixed with a sufficient strength to withstand 4 times the weight of the ceiling fan; that the mounting of the suspension system shall be performed by the manufacturer, its service agent or suitably qualified persons.



PARTS LIST

- Unpack your ceiling fan carefully. Remove all parts and hardware.
- Lay out all the components on a smooth surface and make sure there are no components missing before assembling. If parts are missing, return the complete product to the place of purchase for inspection or replacement.
- Check whether the ceiling fan has been damaged during transport. Do not operate/install any product which appears damaged in any way. Return the complete product to the place of purchase for inspection, repair or replacement.
- Examine all parts, you should have the following:

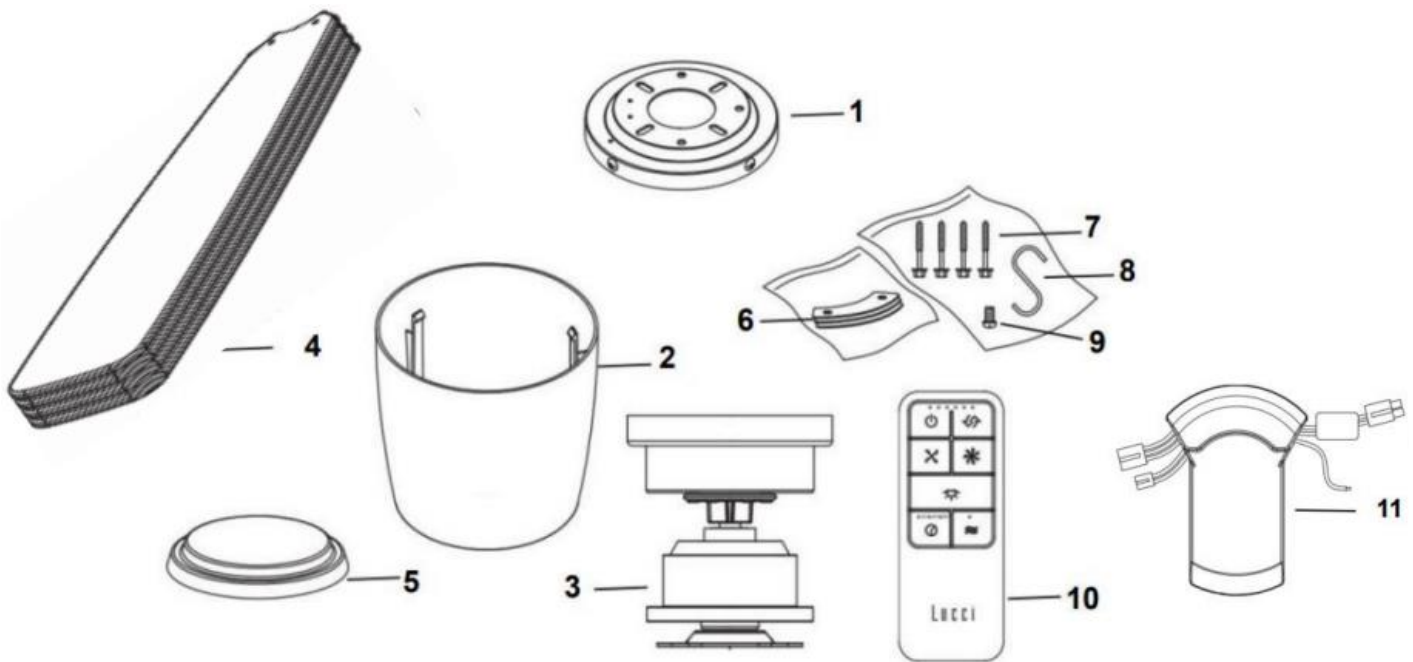


Fig. 1

1	Mounting bracket x 1	6	Blade bracket kit x3
2	Motor housing x 1	7	Mounting screws x 4
3	Fan assembly x 1	8	Hook x 1
4	Blades x 4	9	Spare Motor screw for blade x 1
5	Bottom cover x 1	10	Remote with holder x 1 set
11	Receiver x 1 set		



INSTALLING THE FAN

- The ceiling fan must be installed in a location so that the blades are spaced 300mm from the tip of the blade to the nearest objects or walls.
- Install the hanging bracket to the ceiling joist or structure that is capable of carrying a load of at least 30kg, with two long screws provided. Ensure at least 30mm of the screw is threaded into the support. (Fig. 2)

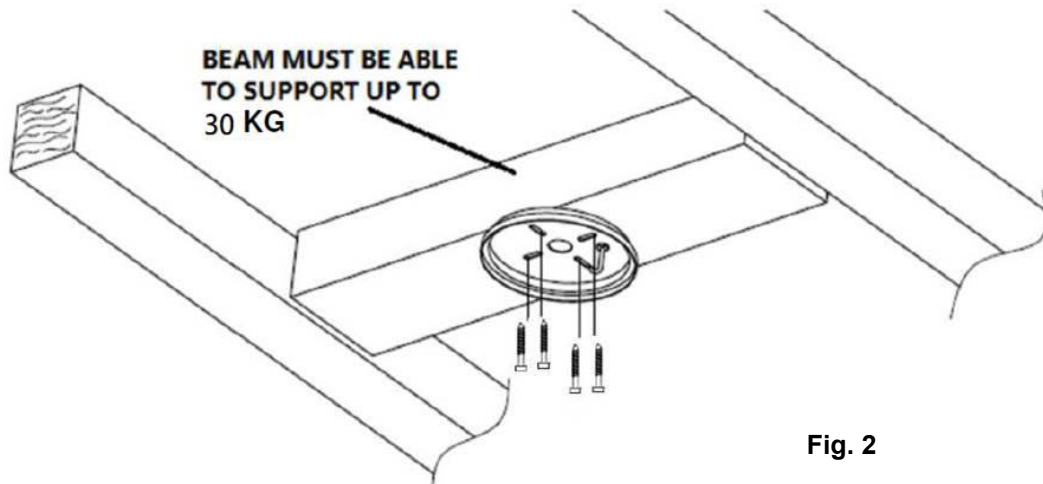


Fig. 2

NOTE: The bracket screws provided are for use with wooden structures only. For structures other than wood, the appropriate screw type **MUST** be used. Ensure the screws used are suitable for the mounting surface and the surrounding environment.

ANGLED CEILING INSTALLATION

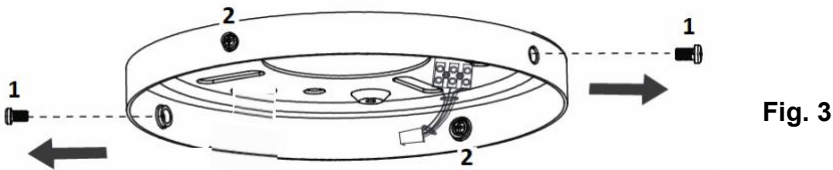
This fan hanging system **DOES NOT** support a degree angled ceiling installation.



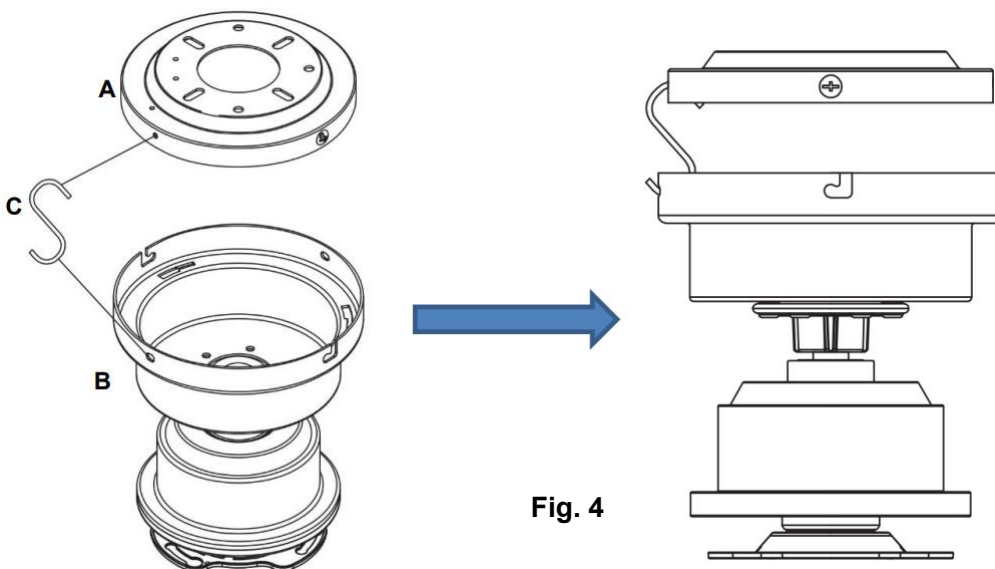
INSTALLING THE FAN

HANGING THE FAN MOTOR ASSEMBLY

- Loosen two canopy screws (1) and remove from the mounting bracket.



- Lift the fan assembly(B) up to the mounting bracket(A). Hang the fan assembly onto the mounting bracket by S-hook (C).



- Complete the electrical wiring according to the ‘ELECTRICAL WIRING DIAGRAM’ section below.

PREPARE AND COMPLETE THE ELECTRICAL WIRING --- WIRING DIAGRAM (FIG. 4)

WARNING: FOR YOUR SAFETY ALL ELECTRICAL CONNECTIONS MUST BE UNDERTAKEN BY A LICENSED ELECTRICIAN.

NOTE: AN ADDITIONAL ALL POLE DISCONNECTION SWITCH MUST BE INCLUDED IN THE FIXED WIRING.

NOTE: IF THERE ARE TWO OR MORE DC CEILING FANS INSTALLED IN THE ONE LOCATION, AN ISOLATION SWITCH IS REQUIRED FOR EACH CEILING FAN. THIS IS REQUIRED WHEN PROGRAMMING THE REMOTE AND RECEIVER TO PAIR TOGETHER.

Ensure the motor earth wire is connected to the single earthing terminal block “1” in the diagram below.



From mains supply to mounting bracket terminal block: (Fig. 5)

1. Connect the live supply wire to the “L” terminal of the terminal block on the mounting bracket.
2. Connect the neutral supply wire to “N” terminal of the terminal block on the mounting bracket.
3. Connect earth wire to the earth terminal of the terminal block on the mounting bracket.

From mounting bracket to receiver and motor: (Fig. 5)

4. Connect the supply wiring connector from the mounting bracket to the input of the receiver.
5. Connect the output wires connectors of receiver to the input wires connectors of the fan motor and the light kit.
6. Connect the receiver earth and the motor earth wire are connected to the single earthing terminal block(Fig. 5)

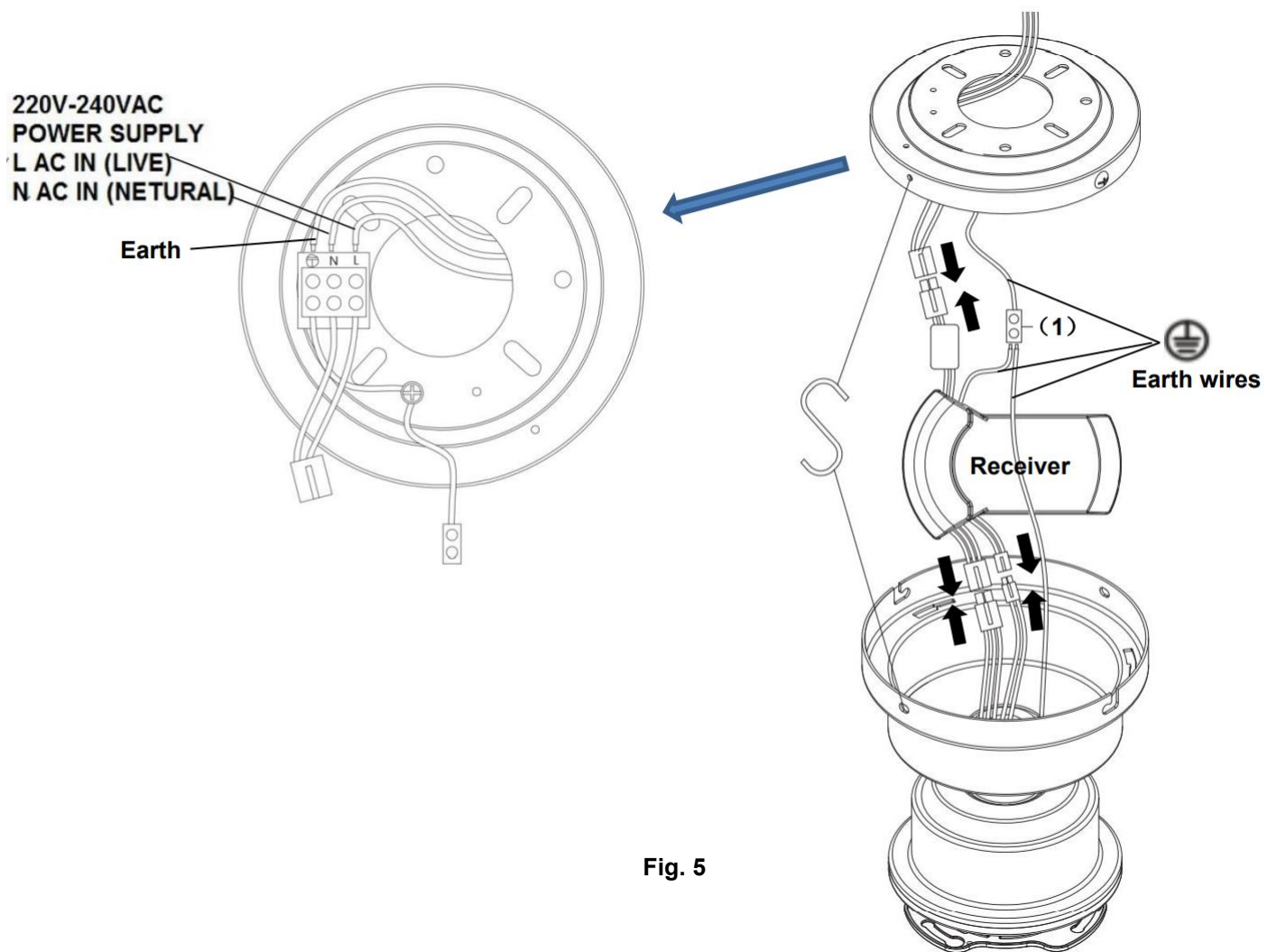


Fig. 5



INSTALL THE FAN ASSEMBLY TO THE MOUNTING BRACKET

- After completing the electrical connection at the mounting bracket terminal block, connect the ceiling fan wiring via the quick connector plug.
- **NOTE: Ensure the earth wiring is secure and correct, by performing an earthing continuity test from the fan's accessible metal body back to the earth terminal at the terminal block on the mounting bracket.**

Install the fan assembly to the mounting bracket (Fig.6):

- Loosen two canopy screws with star washer (2) by half thread from the mounting bracket. (For L-shape slot on canopy to be mounted).
- Remove the S-hook (C) from the mounting bracket and fan assembly
- Lift the hanging plate of the fan assembly up to the mounting bracket and let the L-shape slot on the hanging plate go through the two canopy screws with star washer (2). (Fig.6)
- Turn the hanging plate until it locks in place at the end section of the L-shape slot, ensure the star washer are between the hanging plate and screw head. Secure it by tightening the two canopy screws with star washer (2).
- Secure and tighten the canopy screws (1) to the mounting bracket. The hanging plate shall have 4 screws (1) & (2) in total. Avoid damaging the electrical wiring prepared previously when hanging the hanging plate

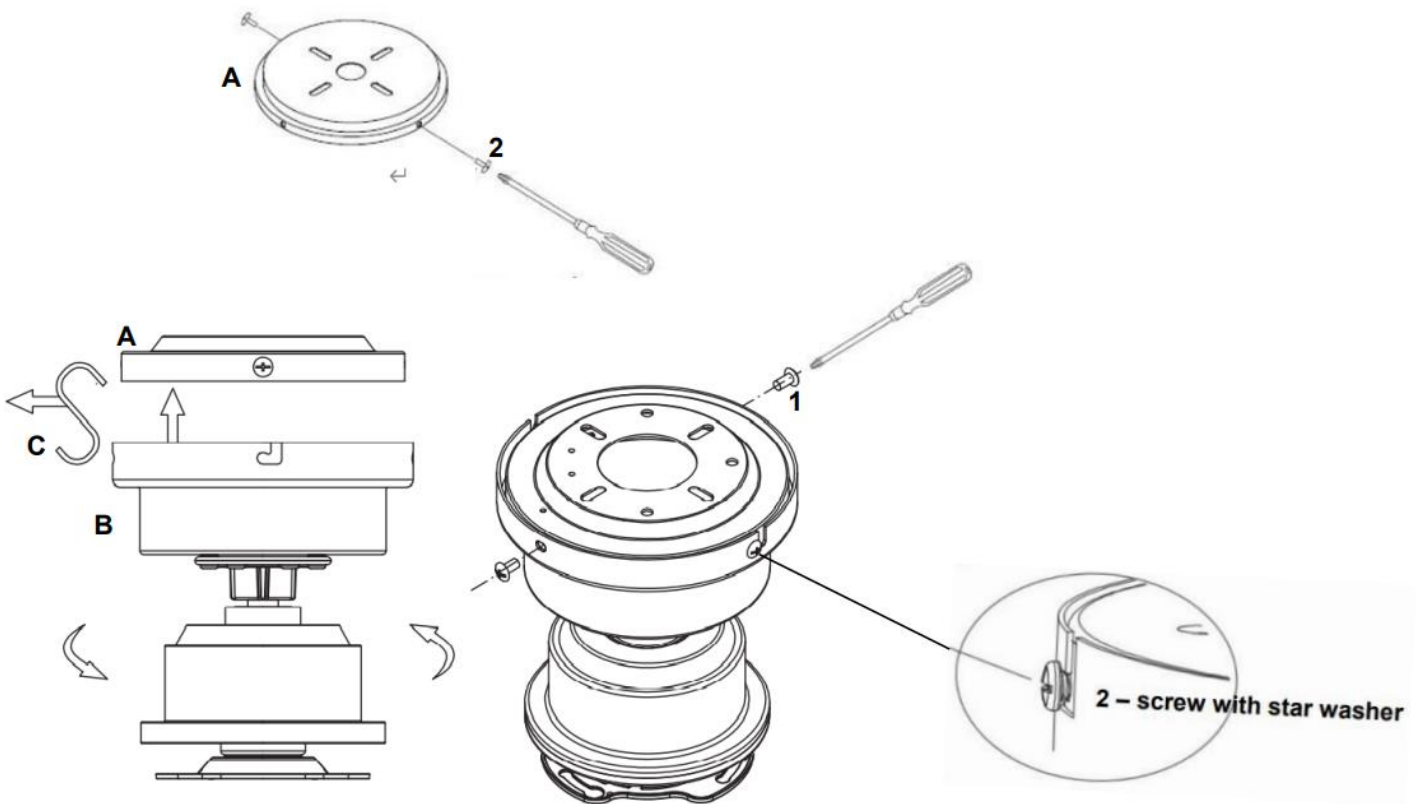


Fig. 6



- Finally attach the motor housing (D) to the hanging plate and secure it by pushing the hooks (3) into the slot holes and turn it anti clockwise.

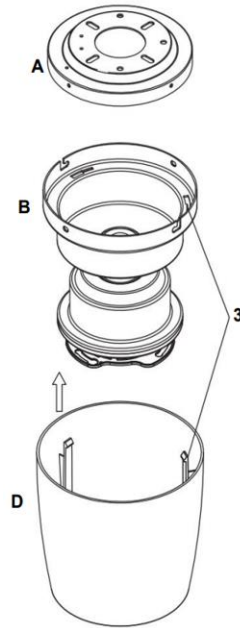


Fig. 7

BLADE INSTALLATION

- Remove the six pre-installed blade screws (3) from the motor.
- Insert the blade screws (3) through the blade bracket (2) and place on the underside of blade (1).
- Align the screws (3) with the holes and secure the blade (1) onto bottom of the fan motor.
Ensure the screws are tightened equally and evenly to reduce the chance of warping or unbalancing. Take care not to over tighten the screws as this can damage the blades (1).
Take note the correct side of the blades with the marking “THIS SIDE UP” faces the ceiling.
- Repeat the process for the remaining blades (1).
- Install the bottom cover (4) onto the motor shaft by rotating it clockwise.

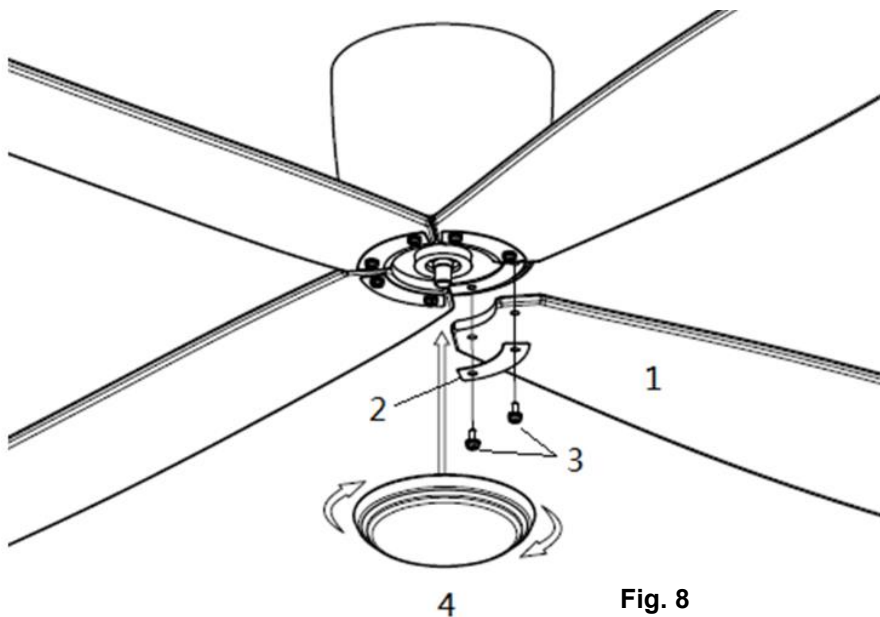


Fig. 8

NOTE: Don't run the motor without blades installed!



LIGHT KIT (sold separately)

- **NOTE:** The light kit must be installed by a licensed electrician.
- The light kit is sold separately. (SKU# 210250, 210251, 210252, 210245, 210246, 210247, 210248, 210249)
- Remove the bottom cover from the motor shaft.
- Remove the heat shrink tube from the connector. (Fig. 9)
- For further instructions, please refer to the instructions included with the light kit.

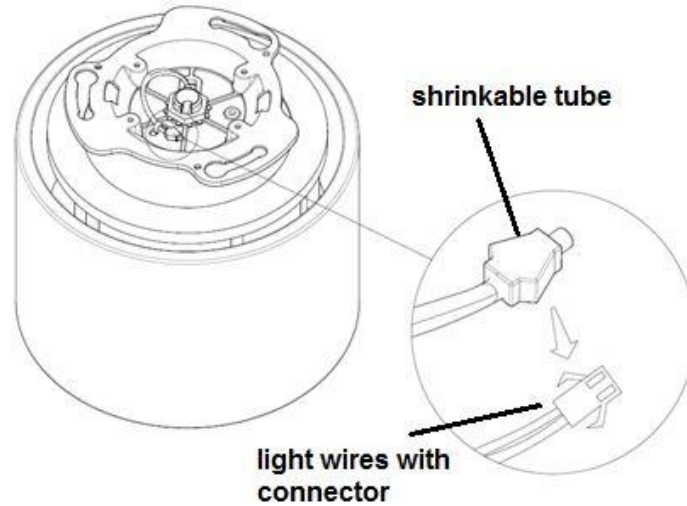


Fig. 9

INSTALLATION OF THE REMOTE CONTROL HOLDER (Fig. 10)

1. Locate a suitable wall to fix the remote control holder with the 2 screws. (Fig.10a).
2. Slide the remote into the holder. (Fig. 10b)

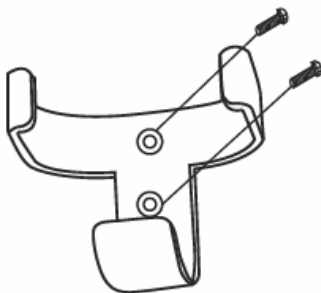


Fig. 10a

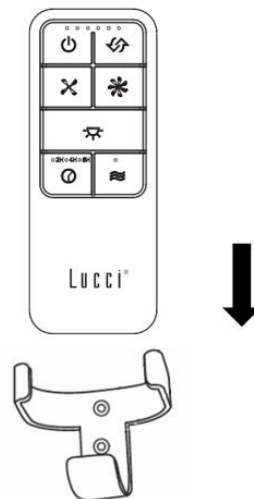


Fig. 10b



USING YOUR CEILING FAN

NOTE: The remote and receiver will need to be paired after the installation of the ceiling fan.

NOTE: When two or more ceiling fans are installed in one location, please refer to the instruction on the next page.

BATTERY INSTALLATION Fig. 11

BEFORE USING THE REMOTE TRANSMITTER

1 pcs 3V **CR2032** battery is required to operate the remote control.

1. Battery CR2032 is pre-installed in the remote. For first time use of the remote, remove the battery film before use. (Fig. 11 a)

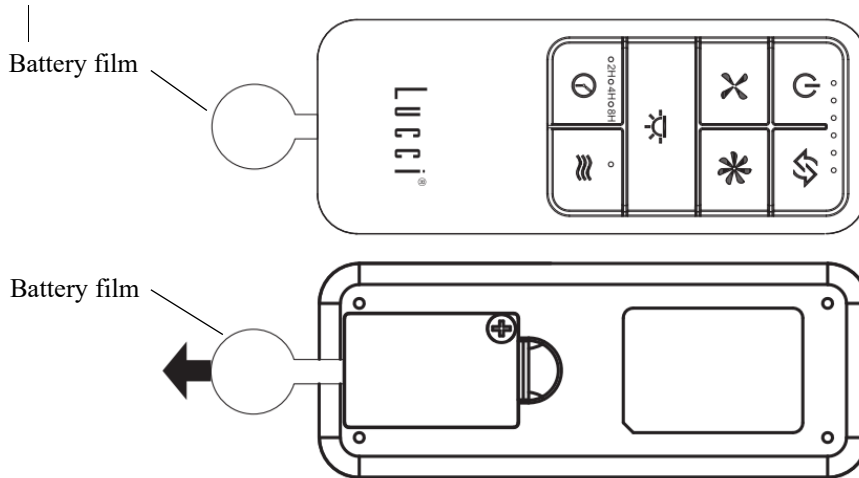


Fig. 11a

BATTERY REPLACEMENT FOR THE REMOTE TRANSMITTER

1. To replace a new battery, loosen the screw from the battery compartment cover (Fig. 11b).
Note: Screw do not come apart from the cover. Do not force the screw and cover apart.
2. Remove the battery compartment cover from the back of the remote

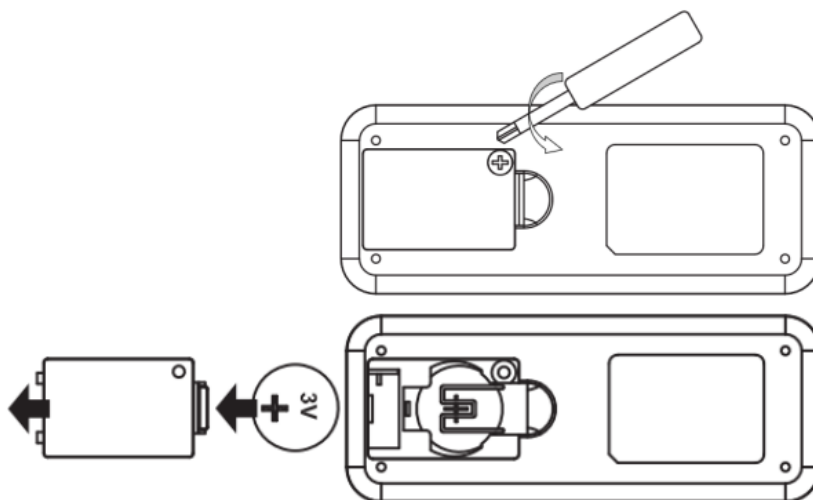


Fig. 11b



Airfusion Fraser CTC Installation Instructions

3. Install the 3V CR2032 DC battery into the remote. Please make sure the polarity of the battery is correct. (Fig. 11c)

Please make sure the polarity of the battery is correct.

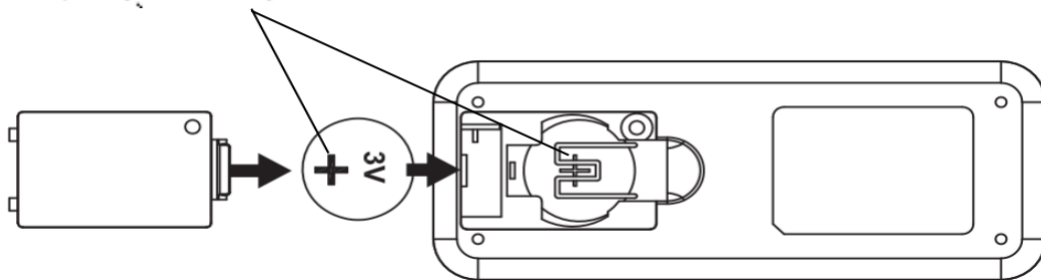


Fig. 11c

4. Install the battery compartment cover back onto the remote and secure by re-tightening the screw.

PAIRING REMOTE & RECEIVER – WHEN 1 DC CEILING FAN IS INSTALLED IN ONE LOCATION

NOTE: Ensure that you have installed a single pole disconnection switch in the fixed wiring for the fan.

NOTE: Ensure power to the receiver is ON prior to pairing the remote with the receiver.

- Turn OFF the mains supply to the fan by on/off wall switch.
- Install the batteries into the remote. Please make sure the polarity of the battery is correct. (Fig. 11c)
- Turn ON the power to the receiver.
- Press and hold the “⏻” button on the remote for 5 seconds within 60 seconds of switching the power ON to the receiver of the ceiling fan.
If the fan has light kit attached, the light will flash on and off to indicate the pairing process is activated.
- Turn ON the fan and change the speed of the ceiling fan via the remote to check the operation and successful pairing.
- If pairing has been unsuccessful, repeat these set of steps again.

PAIRING REMOTE & RECEIVER – WHEN 2 OR MORE DC CEILING FANS ARE INSTALLED IN ONE LOCATION

When two or more fans are located near each other, you may want to have the remote/receiver for each fan set to a different code, so that the operation of one fan does not affect the operation of the other fan/s.

NOTE: Ensure that you have installed a single pole disconnection switch in the fixed wiring for each fan.

NOTE: Ensure power to the receiver is ON prior to pairing the remote with the receiver.

Remote / Receiver pairing for Ceiling fan 1:

- Turn OFF the mains supply to the receivers of both ceiling fans 1 and 2.
- Install the 3V DC battery in the compartment. Please make sure the polarity of the battery is correct. (Fig.11c)
- Turn on the power to receiver 1. Keep the power OFF to receiver 2. (Each ceiling fan must have its own isolation switch, so that only the ceiling fan that needs to be paired with the remote will be ON).



- Press and hold the “⏻” button of **remote 1** for 5 seconds within 60 seconds of switching the power ON to the receiver of ceiling fan 1.
If the fan has light kit attached, the light will flash on and off to indicate the pairing process is activated.
- Turn ON and change the speed of the ceiling fan 1 by the remote to check the operation and successful pairing.
- If pairing has been unsuccessful, repeat these set of steps again.

Remote / Receiver pairing for Ceiling fan 2:

- Turn off the mains supply to the receivers of both ceiling fans 1 and 2.
- Install the 3V DC battery in the compartment. Please make sure the polarity of the battery is correct. (Fig.11c)
- Turn on the power to receiver 2. Keep the power OFF to receiver 1. (Each ceiling fan must have its own isolation switch, so that only the ceiling fan that needs to be paired with the remote will be ON).
- Press and hold the “⏻” button of **remote 2** for 5 seconds within 60 seconds of switching the power ON to the receiver of ceiling fan 2.
If the fan has light kit attached, the light will flash on and off to indicate the pairing process is activated.
- Turn ON and change the speed of ceiling fan 2 by the remote to check the operation and successful pairing.
- If pairing has been unsuccessful, repeat these set of steps again

RESET TO DEFAULT:

- Press and hold the “⏻” button on the remote for 10 seconds within 60 seconds of switching the power ON to the receiver of the ceiling fan. After 3 seconds there will be a flashing light for learning code, after 10 seconds, the flashing light will be twice again, and then the remote will return to the original factory condition.



Remote Control Buttons (Fig. 12)

 : **Fan Off Button**

Press the button to turn the fan off

 : **Reverse Function Button**

Press the button to activate the reverse running function. The fan must be operating to activate the reverse function.

 : **Speed Cut Button**

Press the button to activate the speed down , The LED indicator on remote will display the corresponding number of Speed.

 : **Speed Up Button**

Press the button to activate the speed up, The LED indicator on remote will display the corresponding number of Speed.

 : **Light Control Button**

Press the button to turn the light ON/OFF.

 : **Timer Setting Button**

Press the button to setting Fan working time, Timer is 2H,4H,8H

 : **Natural Wind Button**

Press the button to ON/OFF Natural wind (The fan speed automatic cycle between 1 to 6 speed)



Fig. 12


REPAIRING THE REMOTE & RECEIVER PAIRING – WHEN 1 CEILING FAN IS INSTALLED

- If the remote and receiver lose control after installation or during use, the pairing of the remote and the receiver must be repaired.
- Below are the operating symptoms and the steps to repair the pairing of the remote and receiver.

Symptoms:

- Loss of control - Fan is only running at high speed after installation
- Loss of control - No reverse function after installation
- Loss of control - Remote cannot communicate with receiver

Repairing Steps:

- Switch OFF the main power to ceiling fan for 60 seconds.
- Press and hold the  button on the remote for 5 seconds within 60 seconds of switching the power ON to the receiver of the ceiling fan.
- Turn ON and change the speed of the ceiling fan via the remote to check the operation and successful pairing.



AFTER INSTALLATION

WOBBLE:

NOTE: ceiling fans tend to move during operation due to the fact that they are mounted on a rubber grommet. If the fan was mounted rigidly to the ceiling it would cause excessive vibration. Movement of a few centimeters is quite acceptable and DOES NOT suggest any problem.

TO REDUCE THE FAN WOBBLE: Please check that all screws which fix the mounting bracket are secure.

NOTE: This fan has been precision balanced at the factory and will not need to be balanced again.

NOISE:

When it is quiet (especially at night) you may hear occasional small noises. Slight power fluctuations and frequency signals superimposed in the electricity for off-peak hot water control, may cause a change in fan motor noise. This is normal. Please allow a 24-hour “settling-in” period, most noises associated with a new fan disappear during this time. The manufacturer’s warranty covers actual faults that may develop and NOT minor complaints such as hearing the motor run – All electric motors are audible to some extent.

CARE & CLEANING

NOTE: Always turn OFF the power at the mains switch before performing any maintenance or attempting to clean your fan.

- Every 6 months periodic cleaning of your ceiling fan is the only maintenance required. Use a soft brush or lint free cloth to avoid scratching the paint finish. Please turn off electricity power when you do so.
- Do not soak or immerse your ceiling fan in the water or other liquids. It could damage the motor or the blades and create the possibility of an electrical shock.
- Ensure that the fan does not come in contact with any organic solvents or cleaners.
- To clean the fan blade, wipe with only a damp clean cloth with NO organic solvents or cleaners.
- The motor has a permanently lubricated ball bearing so there is no need to oil.
- Always use 3V CR2032 DC battery type with this ceiling fan remote controller.
- Ensure the batteries are inserted with the correct polarity.
- Remove batteries from the product when not in use for long periods of time.
- To prevent false operation during battery insertion or replacement, this ceiling fan must be disconnected from the supply mains.
- Batteries must be removed from the remote transmitter before it is discarded.



SAFETY PRECAUTIONS FOR BATTERY



WARNING

KEEP OUT OF REACH OF CHILDREN
 New or used batteries are hazardous when swallowed or placed inside any part of the body, it can cause severe or fatal injuries in 2 hours or less. Contact the Australian Poisons Information Centre immediately on 13 11 26 for 24/7 fast, expert advice.

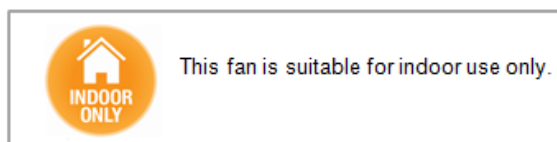
WARNING – KEEP OUT OF REACH OF CHILDREN.



- **CAUTION!** – Do not ingest coin/button battery—Chemical burn hazard.
- **The remote supplied with this product contains a coin/button battery.** If the coin/button battery is swallowed, it can cause severe internal burns in just 2 hours and can lead to death.
- Dispose of flat or used batteries immediately and safely (so they cannot be retrieved by children). Flat or used batteries can still be dangerous. Contact your local council to safely dispose of the battery.
- Regularly check the remote supplied with this product and make sure the battery compartment is correctly secured, e.g. that the screw or other mechanical fastener is tightened. If the battery compartment does not close securely, stop using the product and keep it away from children.
- Keep new and used batteries away from children.
- If you think batteries might have been swallowed or placed inside any part of the body, seek immediate medical attention.
- If you suspect your child has swallowed or inserted a button battery, immediately call the 24-hour Poisons Information Centre on **13 11 26** for fast, expert advice.
- **Battery Leaks:** Battery contains chemicals and should be treated as any chemical would. Take precautions when handling leaked battery chemicals. Battery chemicals should not be placed near the eyes or ingested. Contact Poisons Information Centre on **13 11 26** for fast, expert advice.
- Tell others about the risk associated with button batteries and how to keep their children safe.

TECHNICAL INFORMATION

Fan	52" DC FRASER Fan
Fan Models	CT-MC-4B / SKU#210986; SKU#210987; SKU#210990
Rated Voltage	220-240V~ 50Hz
Rated Wattage (Motor)	35W
Rated wattage (Lamp)	N/A
Battery for remote	3V CR2032 (Included)
Weight	4.9kg
Canopy Dimensions	H:155mm Dia:168mm



LUCCI CEILING FAN WARRANTY DETAIL

LUCCI FAN WARRANTY CONTACT INFORMATION:

Online Warranty Form: <https://www.beaconlighting.com.au/warranty-claims>

Email: warranty@beaconlighting.com.au

Lucci Fan Warranty Hotline: (Free Call) 1800 602 243

THIS WARRANTY IS VALID IN AUSTRALIA ONLY

In the event of service being required, please call the Lucci Fan Warranty Hotline on 1800 602 243 between 9am & 5pm (EST) Monday to Friday. Please make sure you have all the ceiling fan details filled out at the end of the manual before making the call.

Every Lucci ceiling fan is thoroughly inspected and tested before being released for sale. In addition to any warranty rights or conditions under statutory regulations, Lucci warrants all of its ceiling fans against defective workmanship and faulty materials for twenty four (24) months from the date of purchase. Lucci undertakes, at its option, to repair or replace, free of charge, each product or part thereof on condition that;

1. The fan or relevant part has not been subjected to misuse, neglect, or been involved in an accident.
2. The repairs are not required as a result of normal wear and tear.
3. The product was installed by a licensed electrical contractor.
4. A copy of the original receipt of purchase is presented.
5. 12 month warranty applies when used in any non-domestic applications.
6. This warranty does not cover stains, scratch and scuff marks, or dents if the product is purchased through a factory outlet or to refurbished items.

Our goods come with guarantees that cannot be excluded under the Australian Consumer Law. You are entitled to a replacement or refund for a major failure and compensation for any other reasonably foreseeable loss or damage. You are also entitled to have the goods repaired or replaced if the goods fail to be of acceptable quality and the failure does not amount to a major failure.

Lucci Design cannot be held responsible for any repair other than those carried out by it or one of its Authorised Service Agents. Please keep this warranty information in a safe place. This information must be produced in the event of service being required.

Distributed by:

Beacon Lighting

140 Fulton Drive

Derrimut, Victoria, 3026, Australia

Ph +613 9368 1000

Email: warranty@beaconlighting.com.au



CEILING FAN WARRANTY INFORMATION

LUCCI FAN WARRANTY CONTACT INFORMATION:

Online Warranty Form: <https://www.beaconlighting.com.au/warranty-claims>

Email: warranty@beaconlighting.com.au

Lucci Fan Warranty Hotline: (Free Call) 1800 602 243

Complete and retain this form for your personal records and warranty purposes.

NAME.....

ADDRESS.....

.....POSTCODE.....

MODEL NUMBER.....

(PO# + DATECODE Sticker here)

PO NUMBER or DATECODE

DATE OF PURCHASE.....

INSTALLING LICENSED ELECTRICIAN.....

LICENCE No.....

ATTACH PROOF OF PURCHASE HERE

THIS COMPLETED DETAIL PAGE SHOULD BE PRODUCED AND SENT TO THE WHOLESALE OR THEIR AUTHORISED AGENTS BEFORE OBTAINING WARRANTY SERVICE

