

AIRFUSION CNC FAN LIGHT KIT

SKU# 210243, 210244, 210245, 210246, 210247, 210248

Rated Voltage 220-240V~ 50Hz

Thank you for purchasing this quality Lucci product. To ensure correct function and safety, please read and follow all instructions carefully before using the product. Please keep instructions for future reference.

Warranty

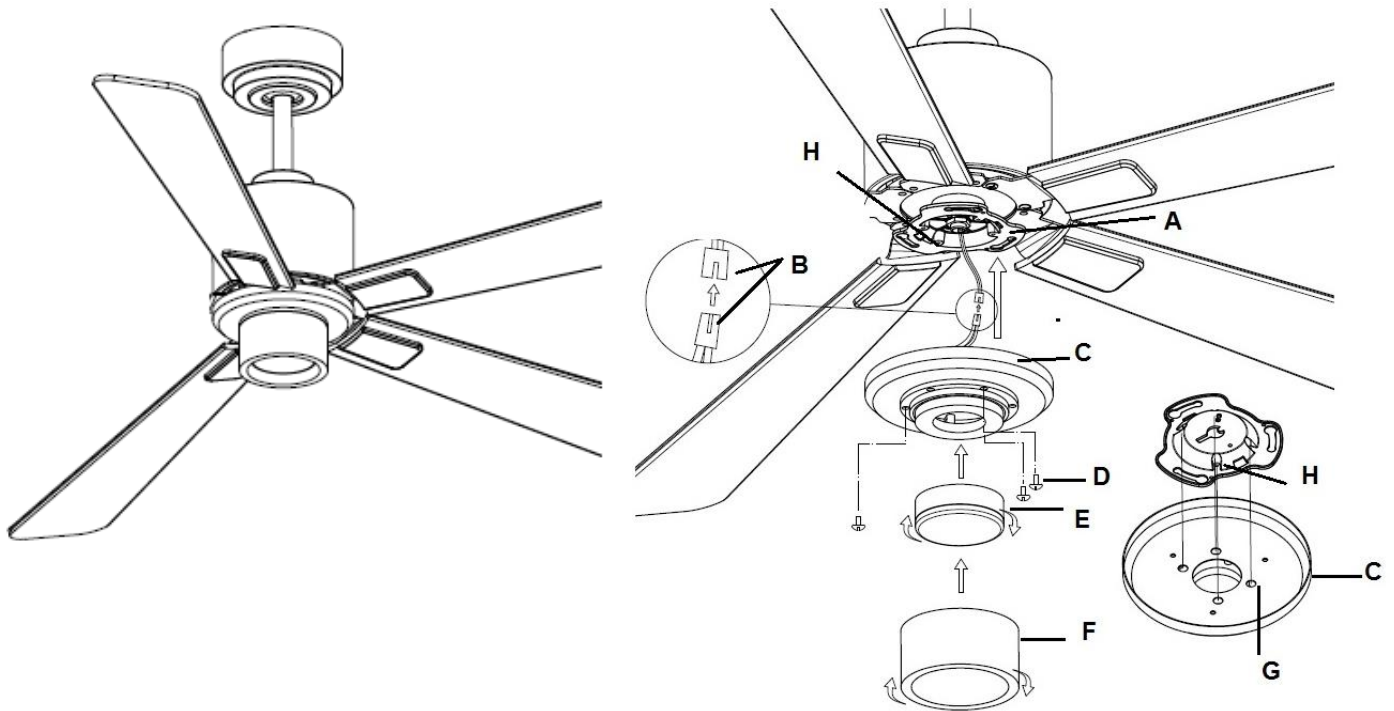
- Warranty will be void if there is any damage due to improper usage or modification to the fitting.

Installation requirements

- Must be installed by a licensed electrician.
- All wiring and installation of the light fitting must adhere to local and national wiring rules.
- Do not exceed the maximum wattage rating.
- Select a suitable location for installation;
 - This product is suitable for indoor use only.
 - Ensure the fitting is not installed next to any air vents and is not in any moist or damp areas.
- Take care not to pull any electrical wires during unpacking as this may damage the connection.
- Lay out all the components on a smooth surface and make sure there are no components missing before assembling.
- Check whether the fitting has been damaged during transport. Do not operate/install any product which appears damaged in any way. Return the complete product to the place of purchase for inspection, repair or replacement.
- Ensure power to the circuit you are working on has been switched OFF.

Installation directions

1. Remove all packaging material from the product.
2. Remove the bottom plate from the body of the fan by twisting anti clockwise.
3. Remove the plastic heat shrink tubing from light fitting connector (B).
4. Remove the light shade (F) from the light base (C) by turning it anticlockwise.
5. Connect the light fitting connector (B) to the connector on the fan.
6. Lift and align the base of the light (C) to the light base bracket (A).
7. Use the holes (G) on the inside of light base to align the small lugs (H) in the bottom of the fan motor.
8. When the screw holes between the light base and the light base bracket are aligned, use the screws supplied (D) to attach the light to the fan.
9. Install a globe (E, not included) into the lamp holder. Do not exceed the maximum wattage rating.
10. Re attach the lamp shade (F) to light base (C) by turning it clockwise.



Safety tips

- Always ensure the power is OFF and the fitting has cooled down before performing any maintenance, cleaning, changing the globe or adjustment to the fitting.
- Do not touch the globe with bare hands. Use a clean cloth, gloves or a tissue.
- To avoid injury or damage to the fitting, ensure that power leads and screws are secure before connecting the power.
- Select a suitable location away from liquids and hazards.
- Ensure that the fitting does not come in contact with corrosive chemicals, etc.
- To clean, wipe with a damp clean cloth. Never soak the fitting with water.

Specifications

SKU #	210243	210244	210245	210246	210247	210248
Model #	LD-DC FANLIGHT/ BK	LD-DC FANLIGHT/ ORB	LD-DC FANLIGHT/BC	LD-DC FANLIGHT/AB	LD-DC FANLIGHT/WH	LD-DC FANLIGHT/CC
Rated Voltage	220-240V~ 50Hz					
Rated Wattage	Max.11W (LED globe recommended)					
Lamp Holder	GX53					
Weight	0.75kg					
Dimensions	H:70mm Dia:153mm					
Globe	Globe not included					